



Expanding spaces and  
views without limits ...



## BIOCLIMATIC PERGOLA SEESKY BIO

Seesky-BIO is a pergola system which allows to enjoy outdoors, restaurants and hotels all year round.

**Additional construction work is not necessary and the installation is completed in 1 day.** Thanks to the pergola's **motorized slats**, heat can be kept inside in winter time and by opening slats air can come inside. Thanks to the pergola's **rain and wind sensors**, pergola closes protecting the inside as harsh weather conditions are detected.

Seesky-Bio also offers different options for extra comfort (**LED lights, music, heaters, ...**) that can be controlled **by control remote, Smartphone or Tablet.**



VENTILATION



RAIN PROTECTION



SUN PROTECTION



AUTOMATION

## FUNCTIONING



### VENTILATION

Temperature can be controlled in a natural way thanks to oriented motorized slats (45°, 90° and 135°), that allow the air to come in during summer time as they are opened, and retaining the heat during winter time once they remain closed.



### SUN PROTECTION

You can adjust aluminum slats orientation and allow ventilation at the same time as you achieve a complete protection against sun radiation.



### RAIN PROTECTION

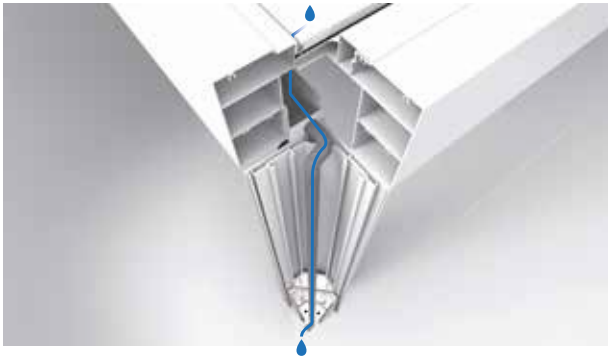
Specially designed roof aluminum slats collect water and using a pipeline system take collected water through lateral columns to the outside, avoiding the possibility of water entering the inside of the pergola.

## STEERABLE SLATS

Motorized steerable slats are controlled by standard control remote or mobile devices (Smartphone or Tablet).



## TECHNICAL DETAILS



### **PIPELINE SYSTEM** *"Optional"*

Pipeline system carries water outside of pergola through columns.



### **UNION BEAMS**

The union of beams with pergola's structure does not disrupt structure aesthetics, as the union of these elements has a clean and elegant finish.



### **PERGOLAS UNION**

The main difference with other pergola suppliers is that seesky-BIO only needs one column for the union of successive pergolas, what adds extra useable space as well as reduces visual impact.



### **MOTORIZATION**

Pergola carries highly resistant motor, specially designed for continuous and intensive use. This motor has a self-learning configuration for adjusting degree of opening.



### **RECORDABLE COLUMN**

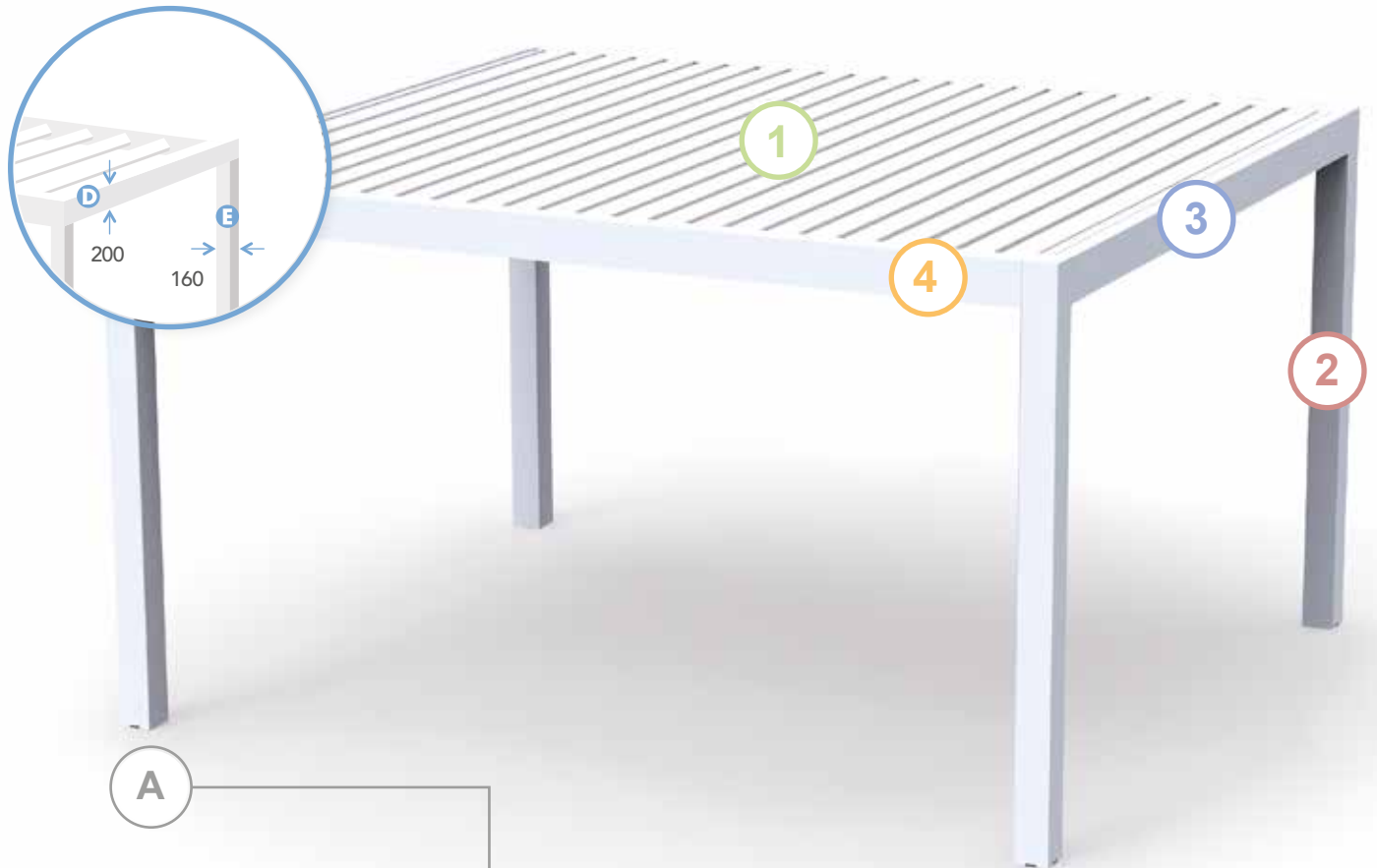
The installation and maintenance of pergola is very easy and comfortable thanks to the recordable column. It allows where there is not much space to tighten screws and adjust inside cables.



### **POLYSTYRENE SLATS** *"Optional"*

Placing polystyrene foam inside slats adds isolation and lessens rain sound.

## SUPPORT AND PIPELINE DETAILS



A



**A-TYPES OF SUPPORT**  
Fixed and Regulable

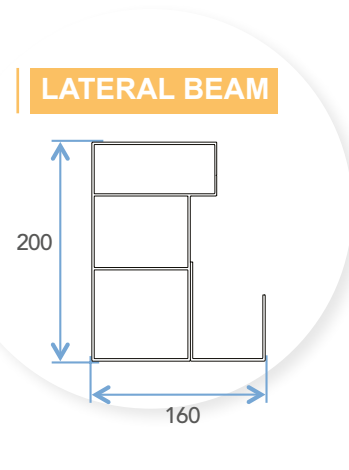
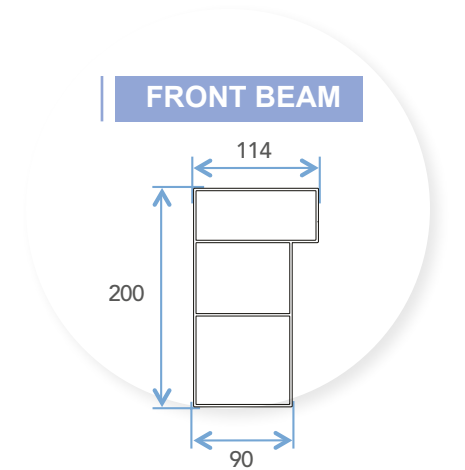
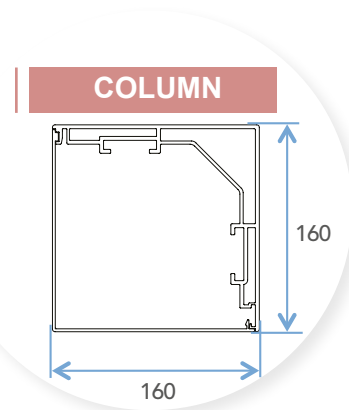
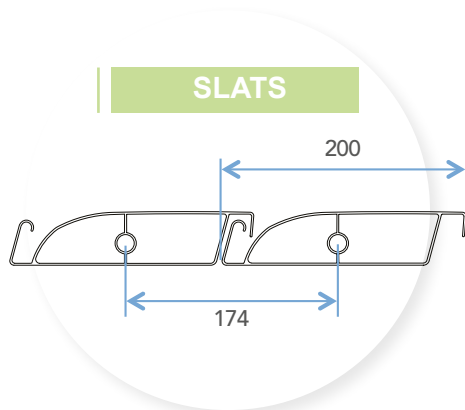
B



**B-TYPES OF DRAINAGE**  
Free or Pipeline

## SECCIONES DE VIGAS / LAMAS

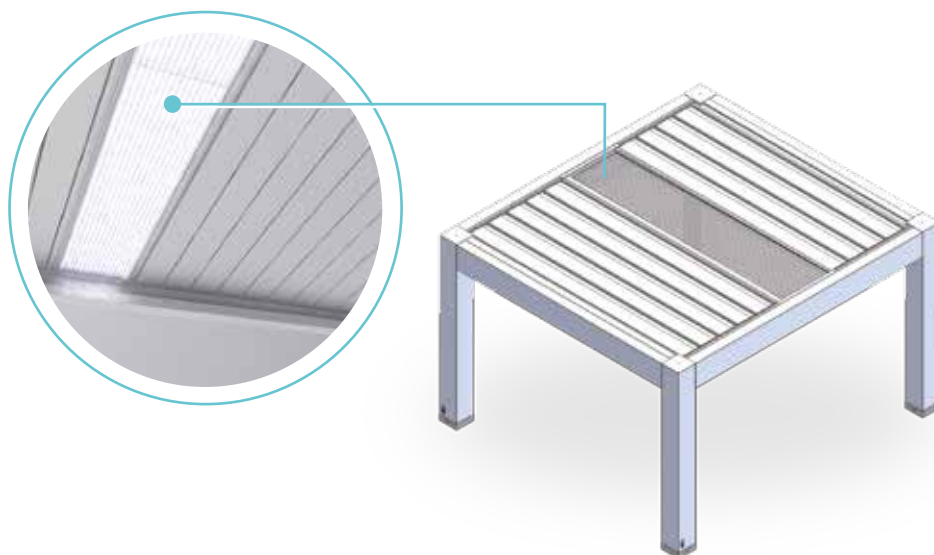
- 1- SLATS
- 2- COLUMN
- 3- FRONT BEAM (without pipeline)
- 4- LATERAL BEAM



## SKYLIGHT

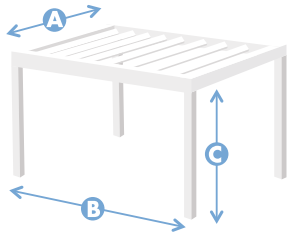
New option **SKYLIGHT** adds resistance and brightness to the pergola, even when slats are closed.

**New**

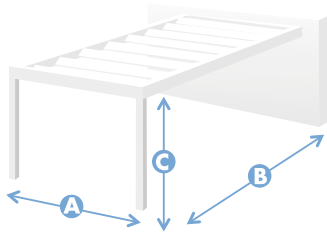


## MAXIMUM MEASURES

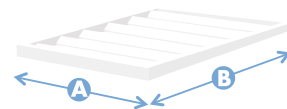
Bioclimatic pergola seesky-BIO consists of 4 different types of profiles depending on where it is installed.



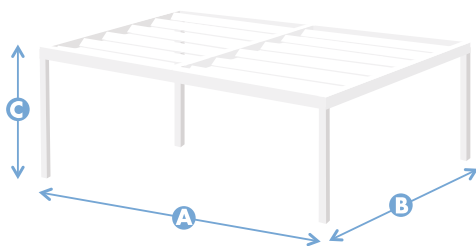
		4 COLUMNS
<b>A</b>	Maximum width	4.000 mm
<b>B</b>	Maximum length	6.450 mm
<b>C</b>	Maximum height	3.000 mm



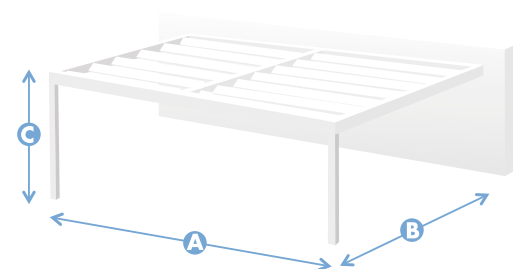
		2 COLUMNS
<b>A</b>	Maximum width	4.000 mm
<b>B</b>	Maximum length	6.450 mm
<b>C</b>	Maximum height	3.000 mm



		WITHOUT COLUMNS
<b>A</b>	Maximum width	4.000 mm
<b>B</b>	Maximum length	6.450 mm
<b>C</b>	Maximum height	



		DUPLEX 4 COLUMNS
<b>A</b>	Maximum width	6.500 mm
<b>B</b>	Maximum length	6.450 mm
<b>C</b>	Maximum height	3.000 mm



		DUPLEX 2 COLUMNS
<b>A</b>	Maximum width	6.500 mm
<b>B</b>	Maximum length	6.450 mm
<b>C</b>	Maximum height	3.000 mm

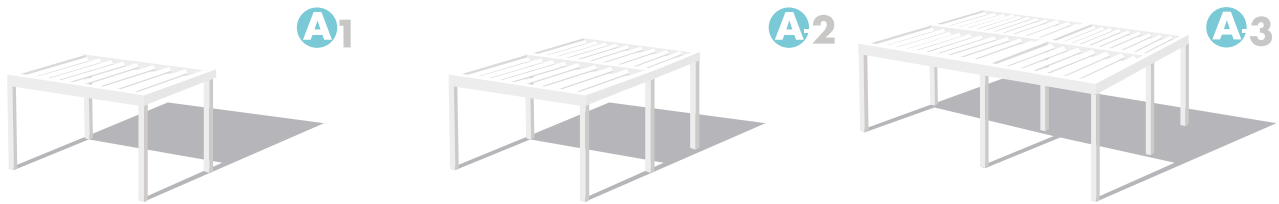


## VARIETY OF CONFIGURATIONS

Seesky-BIO can be custom made using different variations, depending on where the installation will take place so it can be adapted to customer's needs. There are 4 different configurations possible:

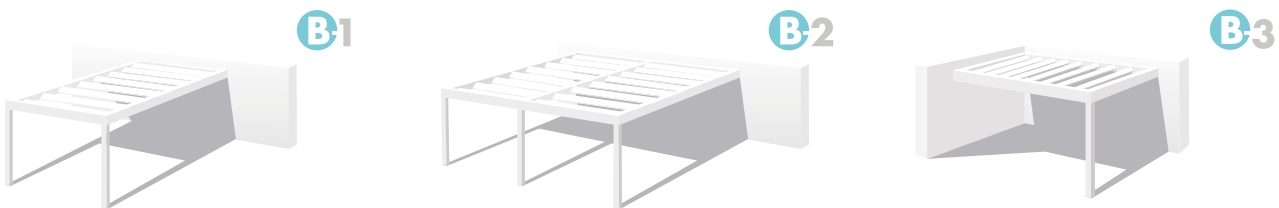
### A ISLAND CONFIGURATION

The most common configuration where the pergola is attached to the floor by 4 columns.



### B PORTICO CONFIGURATION

Mixed configuration, combines columns and wall connections.



### C IN BETWEEN CONFIGURATION

In this configuration pergola is wall connected without columns.



### D DUPLEX CONFIGURATION

This configuration allows pergola union without columns.





## ENLIGHTENMENT

Pergola enlightenment is available in 4 different types.

- Fixed LEDs
- LED lines
- Perimeter LEDs
- Beam lights

Enlightenment package can be programmed to turn on and off at determined time. Also, the intensity can be controlled through the same remote control used for pergola slats or other remote device.



## SOUND PACK

Sound integrated system allow you to listen to your favorite music with a direct radio access, USB adaptor and Bluetooth. Speakers can be provided in white or black color.



## INFRARED HEATER

Seesky Bio can be combined with infrared heater habitat HOT, so you can enjoy a pleasant temperature even on very cold winter days. Habitat HOT heater can be controlled using the same remote control as you use for slat opening.





## AUTOMATIC SENSORS

With seesky BIO intelligent automation, you will obtain a maximum comfort thanks to the sensor which will protect you automatically from harsh weather conditions. Automation switchboard can control the motor via radio (control remote or push bottom) to regulate slat opening depending on the weather conditions.

- Rain sensor for automatic closing.
- Wind sensor for automatic opening due to the wind.



Rain sensor



Wind sensor



## AUTOMATION

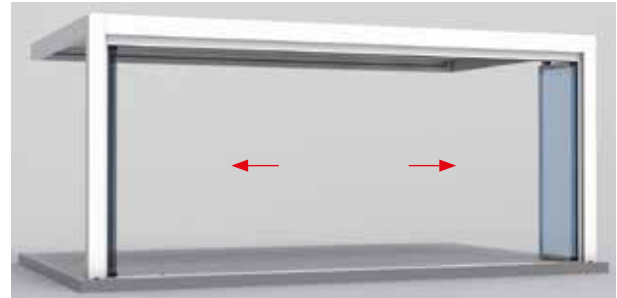
Using integrated WiFi adaptor you can control your pergola and all the complements from any given place using a specific mobile application, and making it a part of your home automation system.



## GLASS ENCLOSURE

seeglass one MAX ECO+

Sliding and folding glass systems Seeglass without vertical profiles offer limitless exterior view.

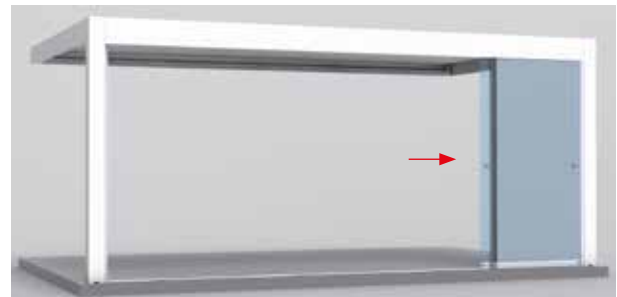


For compatibility with MAX -ONE -ECO check the table on page 14.

## SLIDING SYSTEM

seeglass RUN

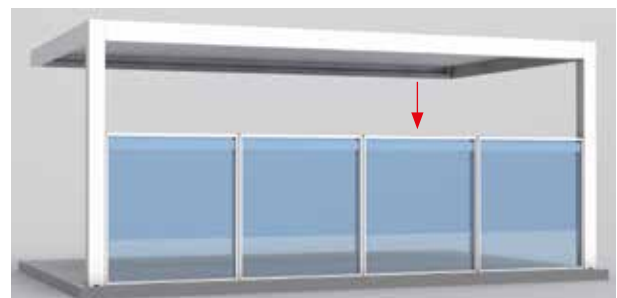
With sliding system SG Run you will protect the inside of the pergola without invading interior space.



## HEIGHT ADJUSTABLE GLASS ENCLOSURE

habitat WIN

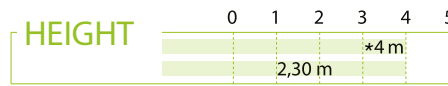
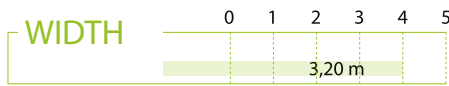
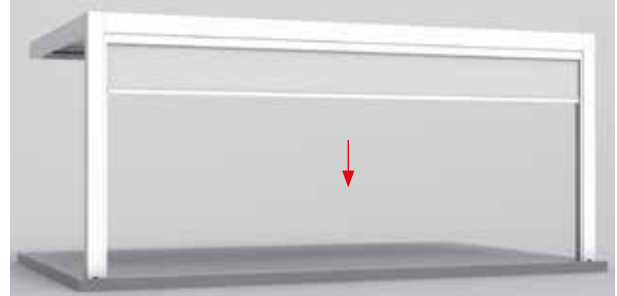
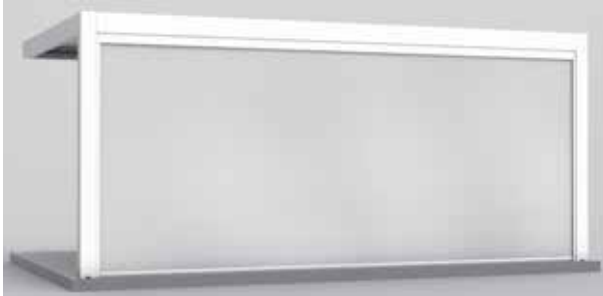
Height adjustable windscreen habitat Win is made of 2 modules: fixed and mobile. Offers protection from windy weather.



## SUN PROTECTING AWNING

### habitat ZIP

Foldable Zip screen attached to the columns allow mayor wind resistance as it offers protection against sun radiation.

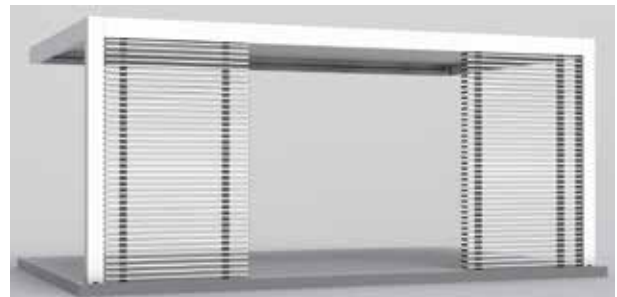


\*If the height is 2.10 meters or less.

## ALUMINUM LATTICE

### habitat OUT

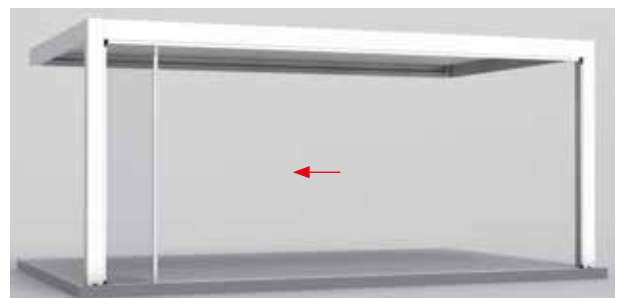
Fixed aluminum lattices allows you to control the entrance of sun rays inside and ventilation.



## MOSQUITO NET

### habitat NET

Mosquito Net with lateral opening, specially designed for large dimensions.



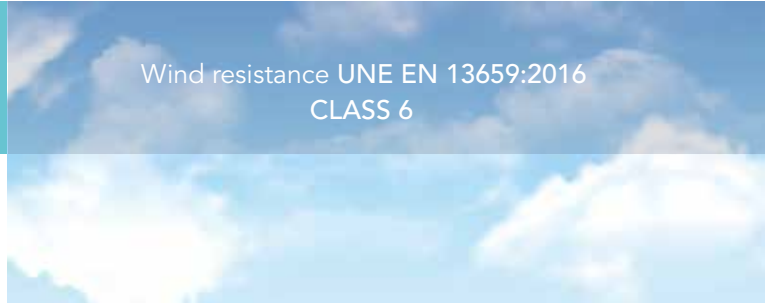
## TESTS

Seesky Bio has been tested according to the European standards and obtained corresponding certificate.

**WIND  
Resistance**



Wind resistance UNE EN 13659:2016  
CLASS 6



**WATER  
Proof**



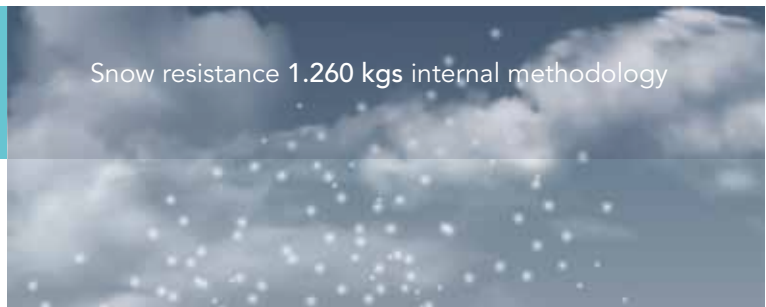
Water resistance UNE EN 1873:2006, paragraph 6.3



**SNOW  
Resistance**



Snow resistance 1.260 kgs internal methodology



## CERTIFICATES

International certificates for aluminum treatment.



Standard finish WHITE,  
also available in other RAL  
finishes. NOT AVAILABLE IN  
ANODIZED FINISHES.



\* Check for warranty conditions.

## SALES ADVISORY AND SUPPORT

### APP MOBILE

New App for managing and informing orders for IOS and ANDROID.



### ONLINE BUDGETS

Web application for making online budgets with different configuration immediatly.



### SHOWROOM SAMPLE:

Special prices for showroom.



### WORK & BIO BOX:

Helpfull selling tools for products.



## COMPATIBILITY WITH MAX -ONE -ECO \*

For compatibility with MAX -ONE -ECO please check the following table:

- Not suitable for hanging systems
- Systems with 10 mm glass
- Systems with 8 and 10 mm glass
- Systems with 10 and 12 mm glass
- Systems with 8, 10 and 12 mm glass
- Systems with 8 mm glass

H/L	3840	4014	4188	4362	4536	4710	4884	5058	5232	5406	5580	5754	5928	6102	6276	6450
2000																
2100																
2200																
2300																
2400																
2500																
2600																
2700																
2800																
2900																
3000																

\* Measurements calculated on the installation made on the heavy beam (high density)

\* Without restrictions for systems with the weight located on the bottom.

L = Maximum Width H = Maximum Height



**MADE IN SPAIN**



C3 Systems, S.L. · Juan de Herrera, 34 · Elche Parque Industrial · 03203 Elche (Alicante) España · Telf. +34 966 286 186 · Fax: +34 965 682 677  
c3systems@c3systems.es · www.c3systems.es · www.seeglass.es · www.pergolabioclimaticaseesky.com



The purpose of this document is for commercial purpose. It does not constitute an authentic advertising offer in "strict sense". For the official offer, please contact C3 SystemS S.L. in order to receive specific and personalized information that contains objective information regarding relevant characteristics which means that it will constitute an offer in a "strict sense".

C3 SystemS, S.L. commits not to make misleading advertising by this means. To these effects, therefore, formal or numerical errors that could be found in the content of this document are not considered as misleading advertising, in particular regarding to the image accompanying in an illustrative way, and not contractual. In any case C3 SystemS, S.L. commits to correct it as soon as it becomes aware of such errors.